



Filters

PRODUCT NEWS

All About How You Drive.

napafilters.com

BULLETIN

REPLACEMENT ELEMENTS FOR RVFS SERIES VESSELS

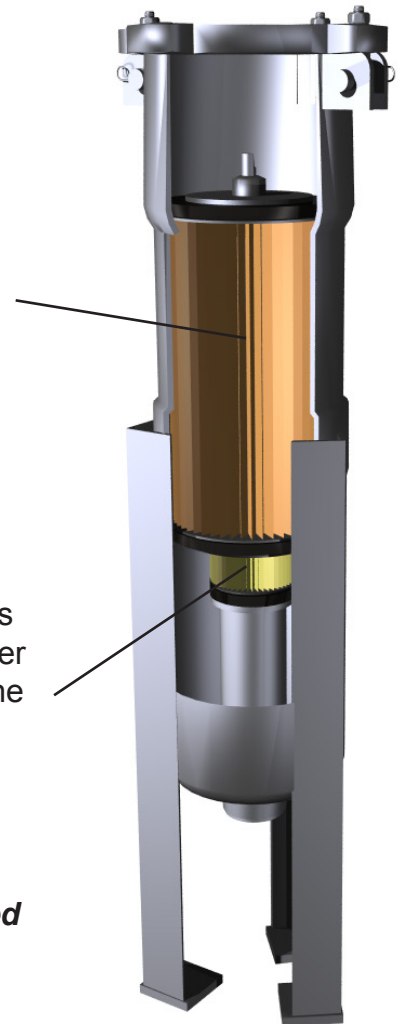
NAPA Filters now offers replacement elements for the RVFS Series filter vessels. The RVFS is used primarily to remove emulsified and free water as well as solid contamination from diesel fuel, fuel oils, and other hydrocarbon streams. When using the system for this purpose, two filter elements are required.



Fuel passes through a coalescing filter which provides primary solid particulate filtering and the removal of free water contamination.

The clean fuel then passes through a second fuel/water separating filter to aid in the removal of any remaining emulsified water content.

Note:
Both Filters Are Required



Together these filters provide an effective filtering solution for fuel dispensing, fuel transfer, and large engine applications.

For questions or more information please contact your local NAPA Filters District Manager or call Product Information at 1.800.949.6698



Filters



PRODUCT NEWS

All About How You Drive.

napafilters.com

BULLETIN

RVFS-1

600073 Replaces
OES HOCP15810

600074 Replaces
OES HSP15410

Both Cartridges Required



Coalescer

Separator

10 Micron

10 Micron

Flow-Rate - 25 GPM @ 37 SSU

RVFS-1

600076 Replaces
OES HOCP15825

600077 Replaces
OES HSP15425

Both Cartridges Required



Coalescer

Separator

25 Micron

25 Micron

Flow-Rate - 25 GPM @ 37 SSU

RVFS-2

600206 Replaces
OES HOCP30810

600204 Replaces
OES HSP30410

Both Cartridges Required



Coalescer

Separator

10 Micron

10 Micron

Flow-Rate - 50 GPM @ 37 SSU

RVFS-2

600205 Replaces
OES HOCP30825

600209 Replaces
OES HSP30425

Both Cartridges Required



Coalescer

Separator

25 Micron

25 Micron

Flow-Rate - 50 GPM @ 37 SSU

NOT APPROVED FOR AVIATION USE